

Specifications

SMART Board® 4070 and E70 interactive flat panels

Model SPNL-4070

Overview

Designed specifically for classrooms, the SMART Board® 4070 and E70 interactive flat panels combines a premium touch experience with the power of SMART Notebook® collaborative learning software on a 70" display.

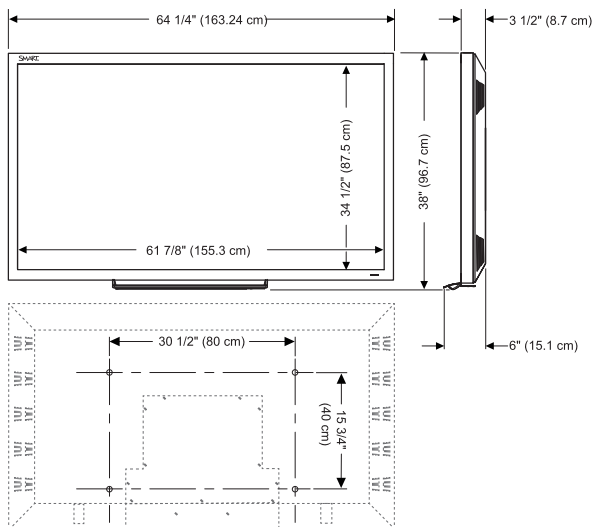
The high-definition, shadow-free 70" (177.8 cm) LED display features low-friction coated glass that enables fingers to glide smoothly over the surface, facilitating a natural touch experience. The SMART Board 4070 and E70 interactive flat panels also virtually eliminate glare and provide an optimal view from any angle in the classroom, delivering an unparalleled viewing and writing experience to offer the best value for classrooms. The multitouch SMART Board 4070 and E70 feature freestyle multi-user interaction anywhere on the display with Windows 7 or 8, enabling students to collaborate without limitations.



See education.smarttech.com for more information on this product.

Dimensions and weights*

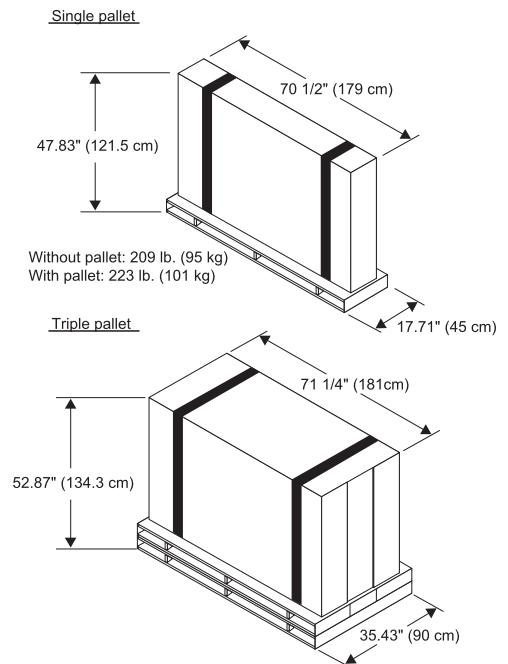
Dimensions



Weight

173 lb. (78.4 kg)

Shipping



*All dimensions ± 1/8" (0.3 cm). All weights ± 2 lb. (0.9 kg).

General specifications

Touch technology	Infrared
Multitouch capabilities	Eight touch on computers with Windows 7 or Windows 8 operating systems
Gestures	Supports gestures on Windows 7, Windows 8, OS X 10.7 or OS X 10.8 operating systems software
Pixel pitch	0.807 mm
Horizontal frequency	30–91 kHz
Vertical frequency	50–85 Hz
Contrast ratio (typical)	4000:1
Optimum resolution	1920 × 1080 at 60 Hz (16:9)
Audio	Two 10 W speakers

Accessories

Pens and pen tray	Two ergonomic pens with comfort grip and a pen tray
Power cord	North America, Europe and UK
Remote control	Infrared remote control
VGA cable	6' (1.8 m) D-sub 15-pin connector
USB cable (touch)	10' (3 m) USB A/B Type

Connections

HDMI	Three HDMI connections input
RGB D Sub (VGA)	D-sub 15-pin connections input
Component	Five RCA inputs (Y, Pb, Pr, L, R)
Composite	RCA analog audio and composite video inputs (red, white and yellow)
SPDIF	SPDIF optical output
USB A	USB A (media access)
USB B	USB B (touch)
PC audio	3.5 mm stereo input
AC power	IEC 60320-C14 Socket

Computer requirements

A computer with either a Windows 7, Windows 8, OS X 10.7 or OS X 10.8 operating system software and SMART Notebook® collaborative learning software 11.3 or above installed. For a complete list of computer requirements, see the SMART Notebook software release notes available at smarttech.com/downloads.

Cable requirements

HDMI	HDMI 1.4 compliant or better Maximum length: 23' (7 m) Notes: Use only certified HDMI cables that have been tested to support the performance standard you require. The performance of cables longer than 23' (7 m) is highly dependent on the quality of the cable.
USB	Maximum length: 10' (3 m)
VGA	Maximum length: 23' (7 m)
All other analog video	Maximum length: 13' (4 m)
Important	Using cables that exceed these maximum lengths may produce unexpected results or degraded picture quality or USB connectivity. Refer to the <i>SMART installation standards</i> (smarttech.com/kb/171035) for a comprehensive guide on cables and extensions for SMART hardware products.

Operating and storage requirements

Power supply	100V AC to 240V AC, 50 Hz to 60 Hz
Power consumption	280 W maximum
Standby power	<0.5 W
Operating temperature	50°F to 104°F (10°C to 40°C)
Operating humidity	10% to 80%, non-condensing
Storage temperature	-13°F to 140°F (-25°C to 60°C)
Storage humidity	5% to 95%, non-condensing

Certification and compliance

Regulatory certification	UL/c-UL (U.S. and Canada), FCC, IC and CE
Environmental compliance	
European Union	REACH, RoHS, WEEE, Battery, Packaging and ErP Standby
U.S.	Packaging and Conflict Minerals

Warranty

Two-year limited equipment warranty. A three-year warranty extension is also available. Contact your authorized SMART reseller for more information.

Purchasing information

Order numbers

SPNL-4070	SMART Board 4070 or E70 interactive flat panel, including a SMART Notebook software installation DVD
-----------	--

smarttech.com/support
smarttech.com/contactsupport

© 2013–2017 SMART Technologies ULC. All rights reserved. SMART Board, SMART Notebook, smarttech, the SMART logo and all SMART taglines are trademarks or registered trademarks of SMART Technologies ULC in the U.S. and/or other countries. All third-party product and company names may be trademarks of their respective owners. This product and/or use thereof is covered by one or more of the following U.S. patents: www.smarttech.com/patents. Contents are subject to change without notice. 08/2017.